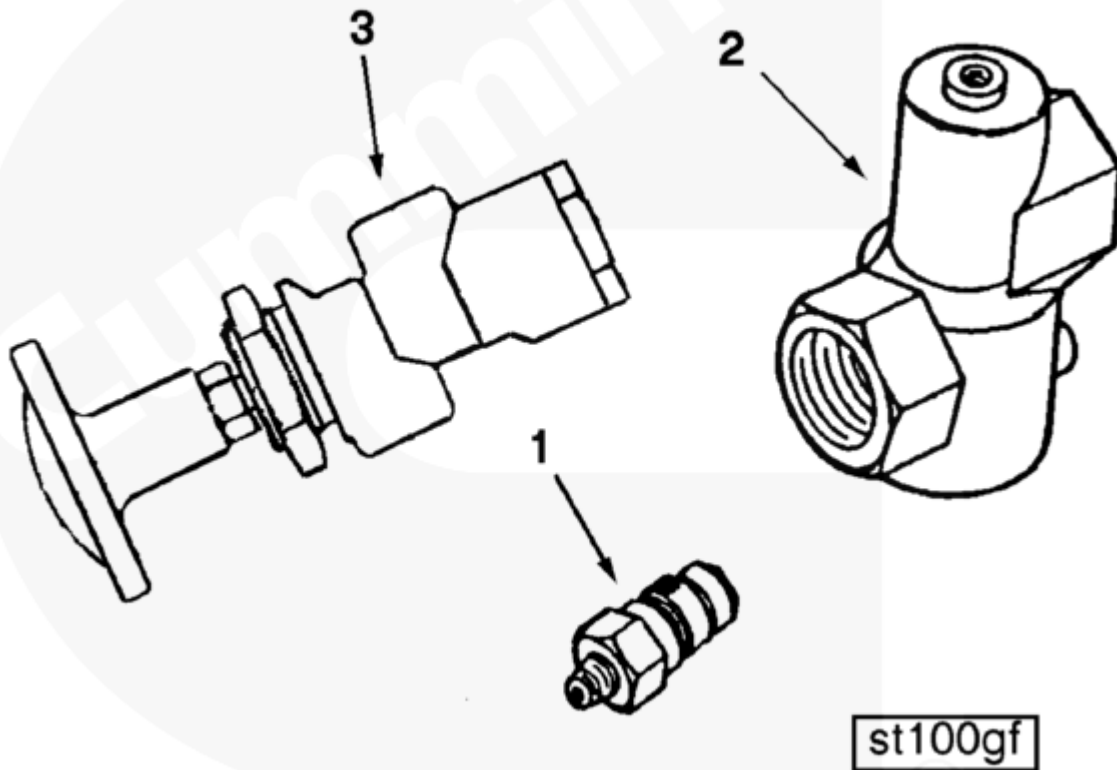




Parts Catalog - Option Detail

Electronic Parts Catalog - Option Detail				
Option	Group	Graphic	Film Card	Date
ST8093-01	13.06	st100gf	K38	17-OCT-88
Engines	GTA38, K38, KTA38GC CM558, QSK38 CM2150 K106, QSK38 CM2150 MCRS, QSK38 CM850 MCRS			

©Cummins Inc



SMALL | MEDIUM | LARGE

Cart	Ref No	Part Number	Part Description	Required	Remarks
<input type="button" value="View My Cart"/>					
		ST8093-01	Air Starter		Valves for SS800 air...(More)
					starters. Includes manual
					push-button starting valve,
					relay valve and lubricator.
					Supplied in kit.

<input type="checkbox"/>	1	3022696	Air Starting Motor Lubricator	1	
<input type="checkbox"/>	2	3022697	Air Relay Valve	1	
<input type="checkbox"/>	3	154706	Air Control Valve	1	

© 2019 Cummins Inc., Box 3005, Columbus, IN 47202-3005 U.S.A.
 Terms of Use and Disclaimers | Recommended System Requirements
 Need Assistance? Please click on the Contact Us button in the top right corner of any page.